

ARKIN

Arkin Touch 7

User manual

Table of Contents

In the Box	3
Initial Setup	3
Reconfiguring the Control Panel	4
Enabling/Disabling the Blue LED Lighting	5
In-Wall Mounting the Control Panel	5
Removing the Control Panel (In-Wall/Glass Mount)	6
On-Wall Mounting the Control Panel	7

In the Box

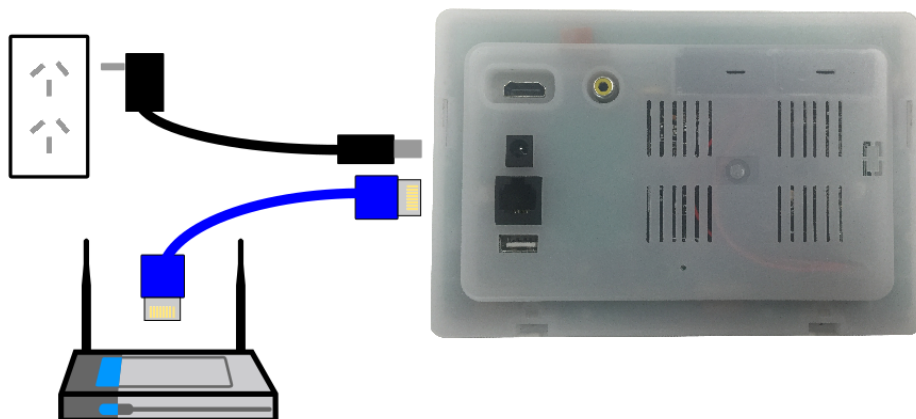
Arkin Touch, power supply, 2 screws, in-wall bracket, 2 x on-wall bracket (90 degree bend), 2 x desk mount (45 degree bend), user manual. Glass/On-wall mount sold separately.

Initial Setup

1. Connect the power and network using one of the following options:
 - a. Mains Power and Ethernet: Connect the ethernet cable (cable not included) to your network, then plug the power cable into the Control Panel, as shown in the diagram.
 - b. POE: If using Power Over Ethernet (POE), connect the ethernet cable (cable not included) to a powered port on your network, omitting the supplied power cable.

Mains Power and WiFi: If using WiFi, plug the power cable into the Control Panel,

 - c. omitting the ethernet cable.



2. Once the Control Panel has started and is showing a "Web URL" prompt, long press the upper right corner of the screen to bring up a password box. Enter the password "cntrl", and click "Submit". This will take you to the Android Settings where you can configure networking.

3. Configure the network using one of the following options:
 - a. Ethernet with DHCP: This is the default, so nothing further to do. Note that Ethernet will not work if Wi-Fi is enabled. To see the allocated IP address, press "More..." under "WIRELESS & NETWORKS". Click "Ethernet" on the right, and the IP Address is shown.
 - b. Ethernet with Static IP Address: Press "More..." under "WIRELESS & NETWORKS", then Click "Ethernet" on the right. Click "Advanced Configure" on the right and un-tick "DHCP". Enter the desired network setting and click "OK".
 - c. Wi-Fi with DHCP: Toggle "Wi-Fi" to "ON" under "WIRELESS & NETWORKS". Click "Wi-Fi" on the left if not already selected. Click the chosen network on the right and enter the Wi-Fi password, clicking "Connect" when complete. To see the allocated IP address, click the network your just connected to and a pop-up will show the address.
 - d. Wi-Fi with Static IP Address: Toggle "Wi-Fi" to "ON" under "WIRELESS & NETWORKS", and then Click "Wi-Fi". Click the chosen network and enter the Wi-Fi password. Before clicking "Connect", tick the "Show advanced options" box. Scroll down and change "IP settings" to "Static". Enter the desired network settings and click "Connect" when complete.
4. Disconnect and reconnect the power.
5. Once the Control Panel has started and is showing a "Web URL" prompt, enter the IP address of the Control product you want to control and click "Save".
6. You will now see the control interface. If the controller is not powered or available on the network, you will see an error. Make sure the controller is powered and addressable and either click the web address on the error page, or power cycle the Control Panel.
7. Each time the Control Panel starts, it will go straight to the control interface.

Reconfiguring the Control Panel

To reconfigure the network settings, you can long press the upper right corner of the screen, enter the password "cntrl" and follow step 3 of the Initial Setup. To reconfigure the Control Panel to interface with a different Controller, follow these instructions:

1. Once the Control Panel has started and is showing the control interface, long press the upper right corner of the screen to bring up a password box. Enter the password " cntrl", and click "Submit". This will take you to the Android Settings.
2. Scroll down and click "Apps".

3. Click "ABAS" on the right.
4. On the right, click "Clear data".
5. Power cycle the Control Panel by removing and reinserting the power.
6. After the device has started, you can now enter a new IP Address and click "Save".

Enabling/Disabling the Blue LED Lighting

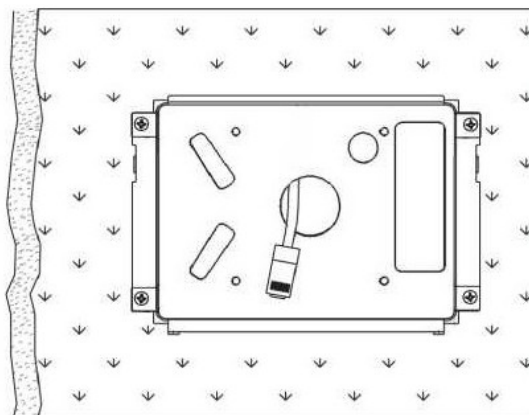
1. Once the Control Panel has started and is showing the control interface, long press the upper left corner of the screen for 8 seconds to bring up a dialog box.
2. Press the button to enable or disable the blue LED lighting.

In-Wall Mounting the Control Panel

The visible part of the Control Panel in front of the wall measures 182mm W x 121mm H x 15mm D. This bracket can also be used for surface mounting using the 75mm x 75mm VESA holes.

1. Make the cutout for the Control Panel:
 - a. Make a cutout in the wall 160mm W x 104mm H x 21mm D, or use the in-wall bracket as a template.
2. Install the mounting bracket into the cutout:
 - a. Insert the mounting bracket into the wall cutout with the flanges at the bottom.
 - b. Use 4 screws (not supplied) to fix the bracket to the wall.

Figure 2



3. Installing the Control Panel:

- a. Insert the ethernet cable (marked "A" in Figure 3) into the RJ-45 connector (LAN / POE) on the Control Panel (marked "A" in Figure 4). You should also insert the power cable at this point if not using POE.
- b. Align the tabs on the mounting bracket (marked "B" in Figure 3) with the slots on the Control Panel (marked "B" in Figure 4). Attach the Control Panel to the mounting bracket by inserting the tabs on the bracket into the mating slots on the Control Panel and then gently pushing downward to lock into place.

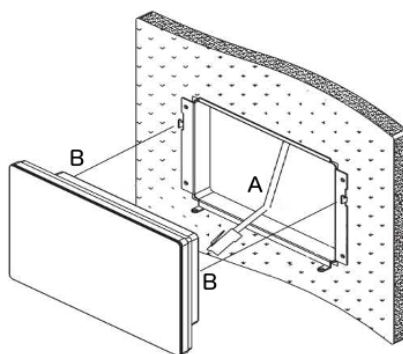


Figure 3

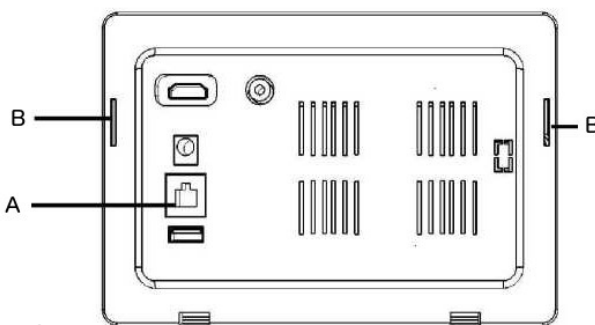


Figure 4

- c. Secure the Control Panel to the mounting bracket flanges using the provided screws in the base.

Removing the Control Panel (In-Wall/Glass Mount)

After installation, if it is necessary to remove the Control Panel from the wall:

1. Remove the two screws on the base of the Control Panel securing it to the mounting bracket.
2. Push the Control Panel upwards and then lift it away from the wall.

On-Wall Mounting the Control Panel

The Control Panel was supplied with two L shipped brackets with a 90 degree bend.

1. The long side of the two brackets should be screwed into the wall with two screws per bracket, and the short side should protrude out from the wall at the bottom. The hole centres of the two brackets should be 108mm apart. The vertical distance between the hole centres on each bracket is 60mm.
2. Once both brackets are secured to the wall, position the Control Panel such that the two mounting holes on it's base rest on top of the holes in the two brackets.
3. Use the two supplied screws to secure the Control Panel to the brackets.